

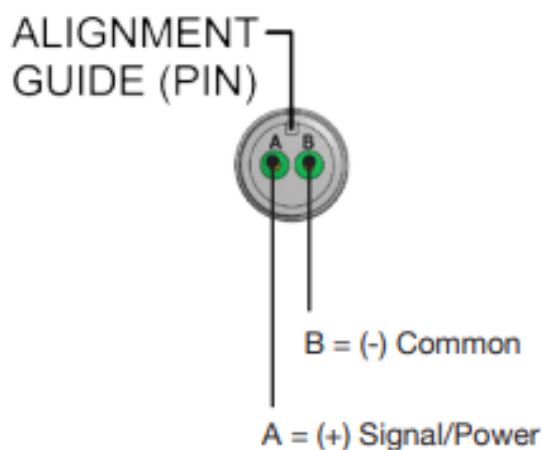
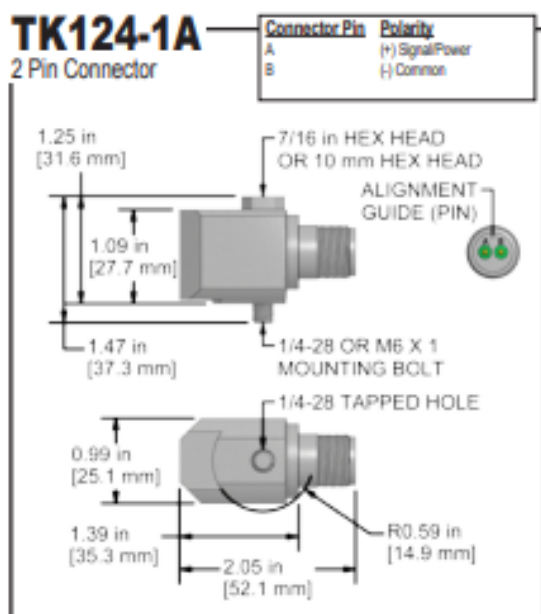
TK124 - TEMPERATURE SENSOR; SIDE EXIT; °K OUTPUT

TK124 - lämpöanturi, liitin sivulla, °K ulostulo

MSP_VIRTUEMA	CTC
RT_MANUFACTURER	
MSP_VIRTUEMA	TK124
RT_SKU:	
Tyyppi:	1-akselinen Teollisuus
Sovellukset:	Condition Monitoring

Saatavissa yhdellä kokoonpanolla:

- 2 Pin Connector TK124-1A



MSP_VIRTUEMART_TECHDETAILS

- Temperature **Measurement** Range ($\pm 2.5\%$): -40° to 212°F (-40° to 100°C)



www.facebook.com/mipelectronics



www.linkedin.com/company/mip-electronics-ltd/



www.youtube.com/channel/UCpKEF_7bS4dMC4qPokUAgDQ

- Temperature Output: 10 mV/°C
- Saturation Time: .5 Hr Minimum
- Case Material: 316L Stainless Steel
- Enviromental Temperature Range: 38° to 250°F

MSP_VIRTUEMART_PRODDOCS

1. [Esite](http://www.mip.fi/images/docs/fi/6_pro_tk124_ds.pdf) , (URL: http://www.mip.fi/images/docs/fi/6_pro_tk124_ds.pdf)

MSP_VIRTUEMART_PRODUCT_IMAGE_TITLE



www.facebook.com/mipelectronics



www.linkedin.com/company/mip-electronics-ltd-/



www.youtube.com/channel/UCpKEF_7bS4dMC4qPokUAgDQ



www.facebook.com/mipelectronics



www.linkedin.com/company/mip-electronics-ltd/



www.youtube.com/channel/UCpKEF_7bS4dMC4qPokUAgDQ