

TA178-M12A - DUAL OUTPUT TEMPERATURE / ACCELERATION, M8 CAPTIVE BOLT, SIDE EXIT M12 CONNECTOR / CABLE, 100 MV/G, 10 MV/K

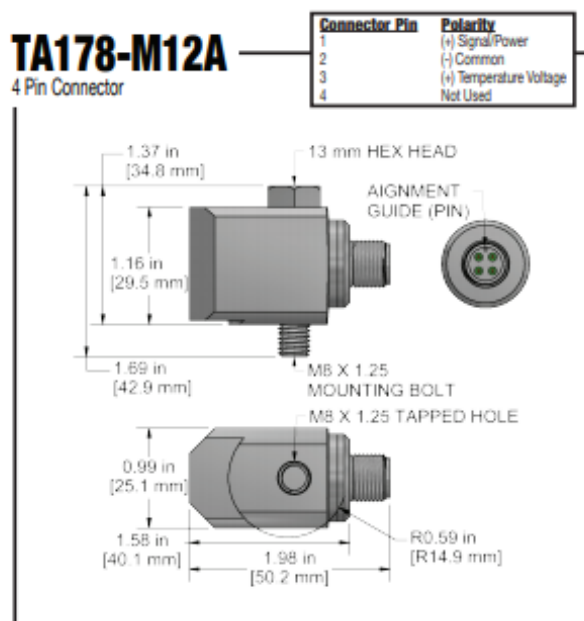
TA178-M12A - Dual Output, lämpötila ja kiihtyvyys, M8 kiinnityspultilla, M12 liitin sivulla, 100 mV/g, 10 mV/K

MSP_VIRTUEMA	CTC
RT_MANUFACTURER	
MSP_VIRTUEMA RT_SKU:	TA178-M12A
Tyyppi:	1-akselinen Teollisuus
Sovellukset:	Condition Monitoring

Saatavissa yhdellä kokoonpanolla:

- 4 Pin Connector TA178-M12A





MSP_VIRTUEMART_TechDETAILS

- Temperature **Measurement** Range: -40° to 212° F (-40° to 100° C)
- Temperature Output: 10 mV/K
- Frequency Response ($\pm 3\text{dB}$): 30-600,000 CPM (0,5-10000 Hz)
- Dynamic Range: ± 50 g, peak
- Sensitivity ($\pm 10\%$): 100 mV/g
- Case Material: 316L Stainless Steel
- Environmental Temperature Range: -40 to 250°F

MSP_VIRTUEMART_PRODDOCS

1. [Esite](http://www.mip.fi/images/docs/fi/1_vs_ta178-m12a_ds.pdf), (URL: http://www.mip.fi/images/docs/fi/1_vs_ta178-m12a_ds.pdf)

MSP_VIRTUEMART_PRODUCT_IMAGE_TITLE



www.facebook.com/mipelectronics



www.linkedin.com/company/mip-electronics-ltd/



www.youtube.com/channel/UCpKEF_7bS4dMC4qPokUAgDQ



www.facebook.com/mipelectronics



www.linkedin.com/company/mip-electronics-ltd/



www.youtube.com/channel/UCpKEF_7bS4dMC4qPokUAgDQ



www.facebook.com/mipelectronics



www.linkedin.com/company/mip-electronics-ltd/



www.youtube.com/channel/UCpKEF_7bS4dMC4qPokUAgDQ