

AC294 - COMPACT, HIGH PERFORMANCE ACCELEROMETER, SIDE EXIT CONNECTOR / CABLE, 100 MV/G

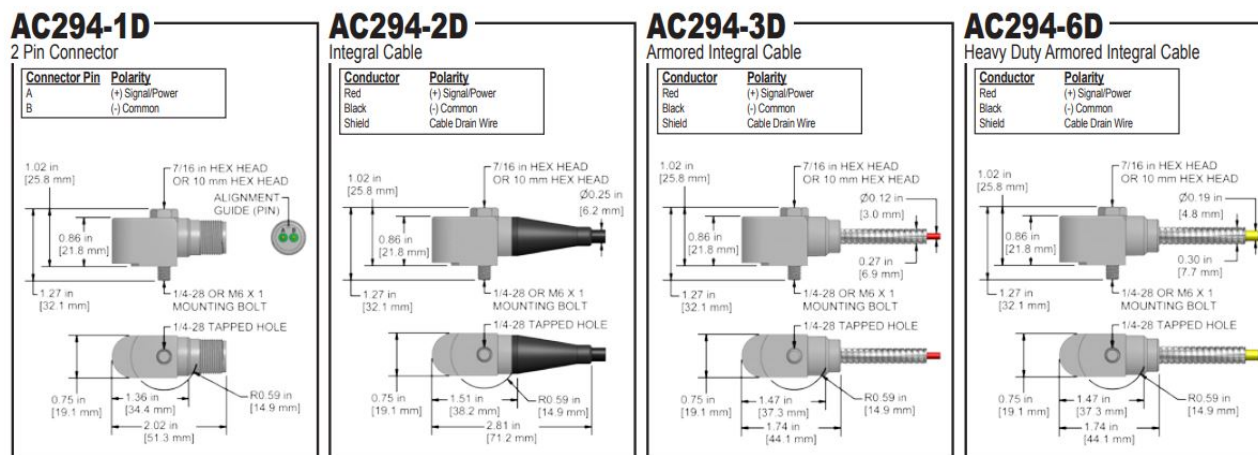
AC294 - Kompakti, suorituskyvyinen kiihtyvyyssanturi, liitin/kaapeli sivulla, 100 mV/g

MSP_VIRTUEMA	CTC
RT_MANUFACTURER	
MSP_VIRTUEMA	AC294
RT_SKU:	
Tyyppi:	1-akselinen Teollisuus
Herkkyy:	100 mV/g
Taajuusalue:	0.3-10000 Hz
Mittausalue:	± 80 g
Sovellukset:	Condition Monitoring

Saatavissa 4 eri kokoonpanolla:

- 2 pin liittimellä AC294 - 1D
- Integroidulla kaapelilla AC294 - 2D
- Integroidulla suojatulla kaapelilla AC294 - 3D
- Integroidulla heavy duty suojatulla kaapelilla AC294 - 6D





MSP_VIRTUEMART_TechDETAILS

- Sensitivity: 100 mV/g
- Frequency Response ($\pm 3\text{dB}$): 0.3-10000 Hz
- Dynamic Range: ± 80 g, peak
- Power Requirements Voltage Source: 18-30 VDC
- Temperature Range: -58 to 250°F (-50 to 121°C)
- Case Material: 316L Stainless Steel
- Connector: 2 Pin MIL-C-5015
- Max Temp: 250°F (121°C)

MSP_VIRTUEMART_PRODDOCS

1. [Esite](http://www.mip.fi/images/docs/fi/1_vs_ac294_ds.pdf), (URL: http://www.mip.fi/images/docs/fi/1_vs_ac294_ds.pdf)

MSP_VIRTUEMART_PRODUCT_IMAGE_TITLE



www.facebook.com/mipelectronics



www.linkedin.com/company/mip-electronics-ltd/



www.youtube.com/channel/UCpKEF_7bS4dMC4qPokUAgDQ



www.facebook.com/mipelectronics



www.linkedin.com/company/mip-electronics-ltd/



www.youtube.com/channel/UCpKEF_7bS4dMC4qPokUAgDQ



www.facebook.com/mipelectronics



www.linkedin.com/company/mip-electronics-ltd/



www.youtube.com/channel/UCpKEF_7bS4dMC4qPokUAgDQ