

AC198 - MULTI PURPOSE MEDIUM ACCELEROMETER, 100MV/G, M8 CAPTIVE BOLT, SIDE CONNECTOR

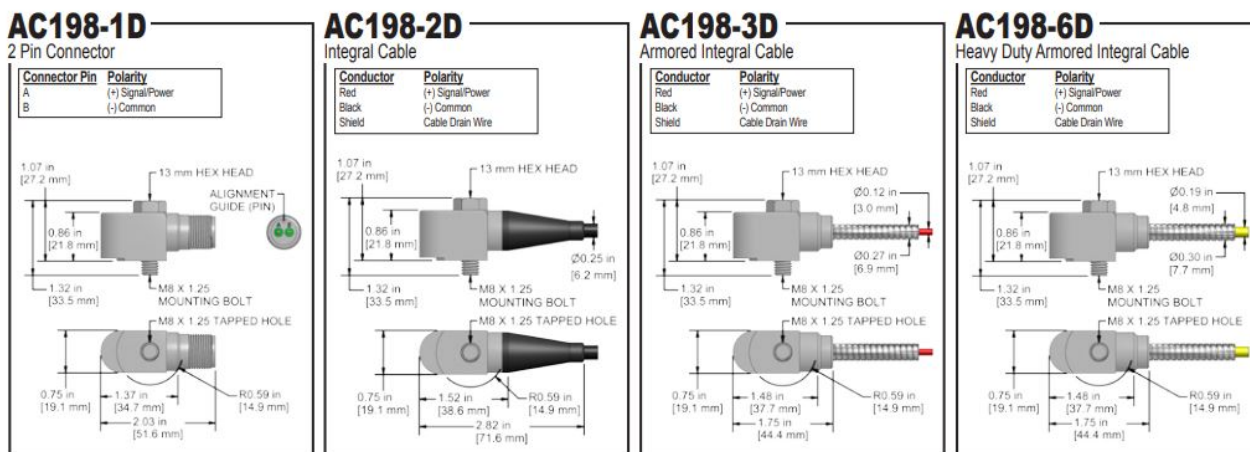
AC198 - Monikäyttöinen medium kiihtyvyyssanturi, 100mV/g, M8 kiinnitys, liitin/kaapeli sivulla

MSP_VIRTUEMA	CTC
RT_MANUFACTURER	
MSP_VIRTUEMA	AC198
RT_SKU:	
Tyyppi:	1-akselinen Teollisuus
Herkkyy:	100 mV/g
Taajuusalue:	0.5-8000 Hz
Mittausalue:	± 80 g
Sovellukset:	Condition Monitoring

Saatavissa 4 eri kokoonpanolla:

- 2 pin liittimellä AC198 - 1D
- Integroidulla kaapelilla AC198 - 2D
- Integroidulla suojatulla kaapelilla AC198 - 3D
- Integroidulla heavy duty suojatulla kaapelilla AC198 - 6D





MSP_VIRTUEMART_TechDETAILS

- Sensitivity: 100 mV/g
- Frequency Response (± 3 dB): 0.5-8000 Hz
- Dynamic Range: ± 80 g, peak
- Power Requirements Voltage Source: 18-30 VDC
- Temperature Range: -58 to 250°F (-50 to 121°C)
- Case Material: 316L Stainless Steel
- Connector: 2 Pin MIL-C-5015
- Max Temp: 250°F (121°C)

MSP_VIRTUEMART_PRODDOCS

1. [Esite](http://www.mip.fi/images/docs/fi/1_vs_ac198_ds.pdf), (URL: http://www.mip.fi/images/docs/fi/1_vs_ac198_ds.pdf)

MSP_VIRTUEMART_PRODUCT_IMAGE_TITLE



www.facebook.com/mipelectronics



www.linkedin.com/company/mip-electronics-ltd/



www.youtube.com/channel/UCpKEF_7bS4dMC4qPokUAgDQ



www.facebook.com/mipelectronics



www.linkedin.com/company/mip-electronics-ltd/



www.youtube.com/channel/UCpKEF_7bS4dMC4qPokUAgDQ



www.facebook.com/mipelectronics



www.linkedin.com/company/mip-electronics-ltd/



www.youtube.com/channel/UCpKEF_7bS4dMC4qPokUAgDQ