

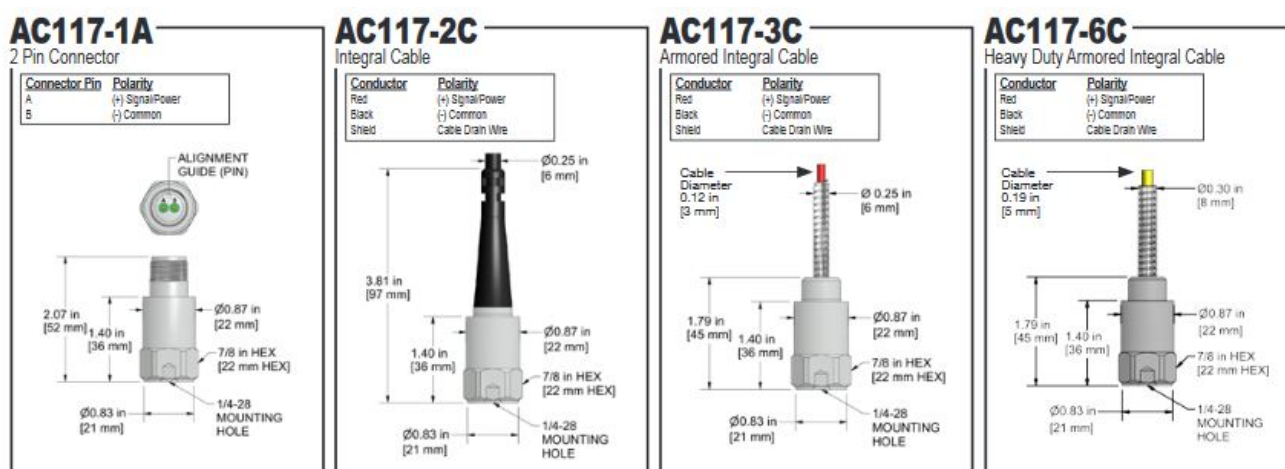
# AC117 - MULTI-PURPOSE ACCELEROMETER, TOP EXIT CONNECTOR / CABLE, 50 MV/G

AC117 -Monikäyttöinen kiihtyvyyssanturi, liitin/kaapeli päällä, 50 mV/g

<b>MSP_VIRTUEMA</b>	CTC
<b>RT_MANUFACTURER</b>	
<b>MSP_VIRTUEMA</b>	AC117
<b>RT_SKU:</b>	
<b>Tyyppi:</b>	1-akselinen Teollisuus
<b>Herkkyy:</b>	50 mV/g
<b>Taajuusalue:</b>	1.0-12500 Hz
<b>Mittausalue:</b>	± 100 g
<b>Sovellukset:</b>	Condition Monitoring

Saatavilla 4 eri kokoonpanolla:

- 2 pin liittimellä AC117 - 1A
- Integroidulla kaapelilla AC117 - 2C
- Integroidulla suojatulla kaapelilla AC117 - 3C
- Integroidulla heavy-duty suojatulla kaapelilla AC117 - 6C



## MSP\_VIRTUEMART\_TECHDETAILS



[www.facebook.com/mipelectronics](https://www.facebook.com/mipelectronics)



[www.linkedin.com/company/mip-electronics-ltd/](https://www.linkedin.com/company/mip-electronics-ltd/)



[www.youtube.com/channel/UCpKEF\\_7bS4dMC4qPokUAgDQ](https://www.youtube.com/channel/UCpKEF_7bS4dMC4qPokUAgDQ)

- Sensitivity: 50 mV/g
- Frequency Response ( $\pm 3$ dB): 1.0-12500 Hz
- Dynamic Range:  $\pm 100$  g, peak
- Power Requirements Voltage Source: 18-30 VDC
- Temperature Range: -58 to 250°F (-50 to 121°C)
- Case Material: 316L Stainless Steel
- Connector: 2 Pin MIL-C-5015
- Max Temp: 250°F (121°C)

## MSP\_VIRTUEMART\_PRODDOCS

1. [Esite](http://www.mip.fi/images/docs/fi/1_vs_ac117_ds.pdf) , (URL: [http://www.mip.fi/images/docs/fi/1\\_vs\\_ac117\\_ds.pdf](http://www.mip.fi/images/docs/fi/1_vs_ac117_ds.pdf))

## MSP\_VIRTUEMART\_PRODUCT\_IMAGE\_TITLE



[www.facebook.com/mipelectronics](http://www.facebook.com/mipelectronics)



[www.linkedin.com/company/mip-electronics-ltd/](http://www.linkedin.com/company/mip-electronics-ltd/)



[www.youtube.com/channel/UCpKEF\\_7bS4dMC4qPokUAgDQ](http://www.youtube.com/channel/UCpKEF_7bS4dMC4qPokUAgDQ)



[www.facebook.com/mipelectronics](https://www.facebook.com/mipelectronics)



[www.linkedin.com/company/mip-electronics-ltd/](https://www.linkedin.com/company/mip-electronics-ltd/)



[www.youtube.com/channel/UCpKEF\\_7bS4dMC4qPokUAgDQ](https://www.youtube.com/channel/UCpKEF_7bS4dMC4qPokUAgDQ)